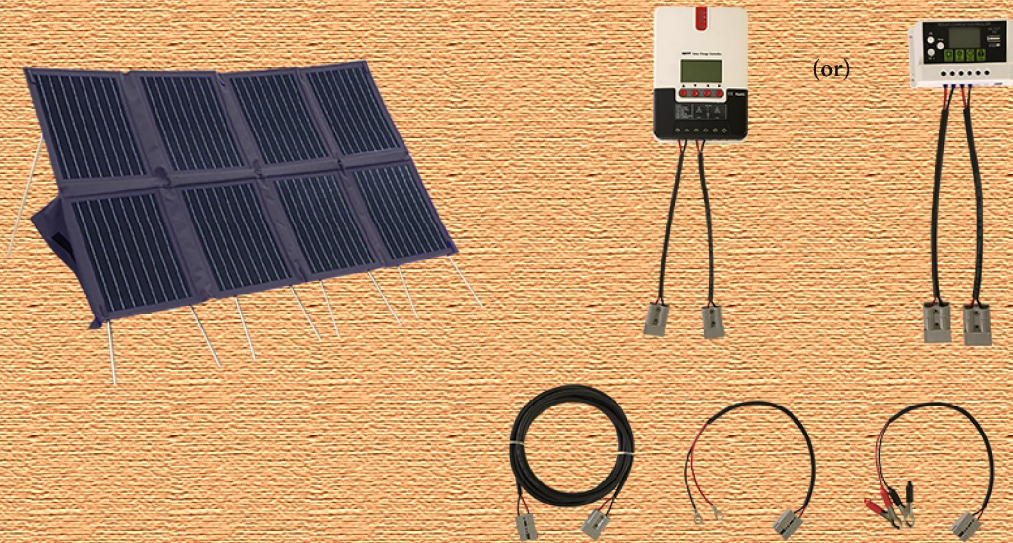


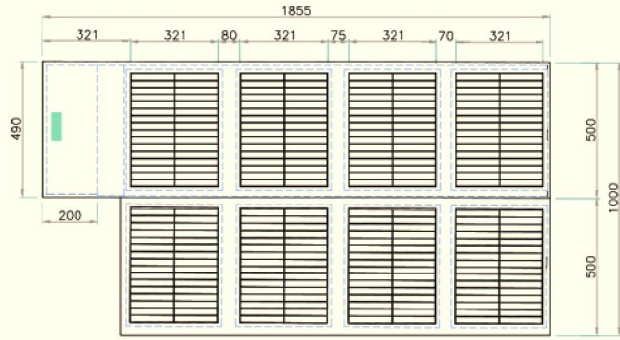
LIGHT FOLDABLE SOLAR MODULE

The Lightweight foldable solar module is Perfect for outdoor needs of batteries in caravan or RVs or for mountaineering etc. During camping, hiking and other outdoor activities, the foldable solar blanket is a convenient solar electric generator, suitable for charging 12V or 24V, Gel or Lifepo4 or flooded batteries along with appropriate charge controllers.

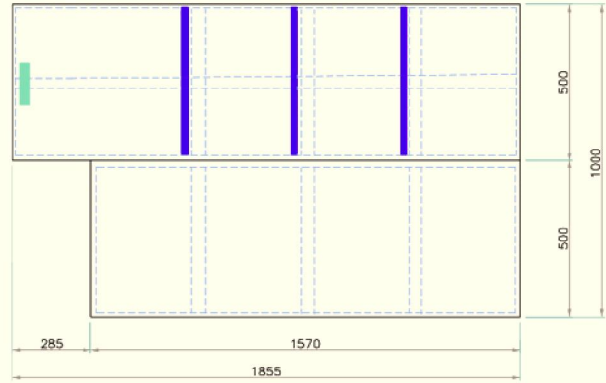


- Compact Size and Light Weight
- Light & Splash proof polyester fabric.
- Long life with fabric-fabric stitching
- Waterproof fabric
- Each segment covered by fabric
- Anderson connectors for easy interchange connection.
- MPPT/PWM Charge Controller for safe & effective charging.
- High Efficiency Monocrystalline cells
- Comes with 5m Extension Cable, 0.6m long Cable with Anderson connectors and Alligator Clips, Foam padded heavy duty carry bag to carry module and an MPPT Charge Controller.
- Multiple Mounting Options
 - Easy to Prop-up Stand
 - No-Slip on metal surface
 - Easy to Hold/Suspend loops.

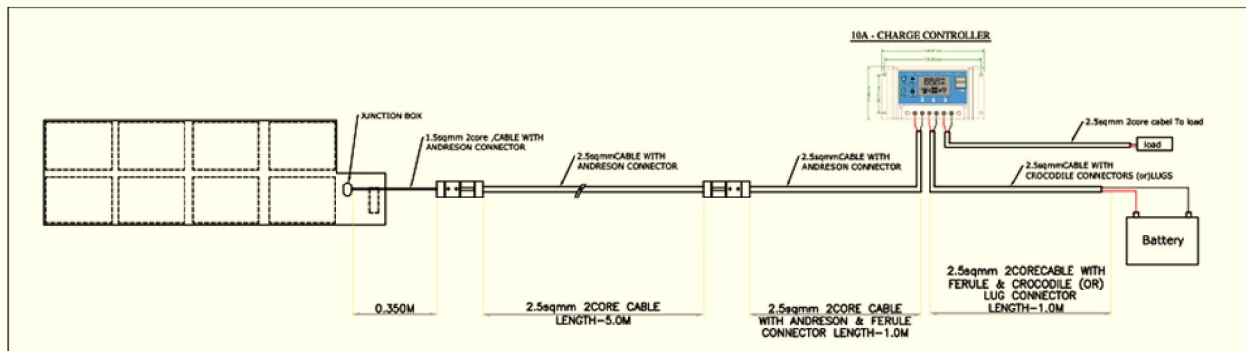
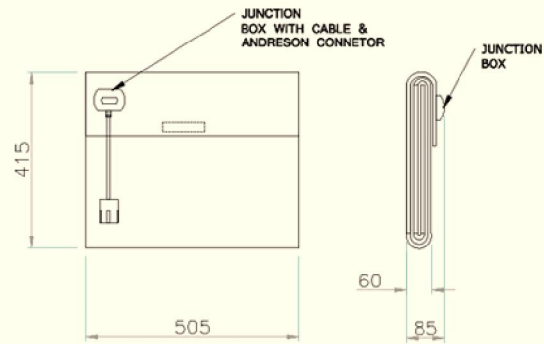
U6M L2F 200W



FRONT VIEW



REAR VIEW



Maximum power rating	P _{max}	200 W (25 w x 8)
Tolerance on power output		+/- 6.0 %
Current at max power	I _{max}	11.0 A
Voltage at max power	V _{max}	18.17 V
Short circuit current	I _{sc}	11.68 A
Open circuit voltage	V _{oc}	21.44 V
No. of cells	Nos	32 x 8
Weight	Kg~	10.0

Temperature Coefficients

I_{sc} : +0.047%/°C, V_{oc} : -0.323%/°C, FF : -0.117%/°C.

STC

Intensity 1000W/M²
 Module Temperature 25°C
 Spectrum AM = 1.5